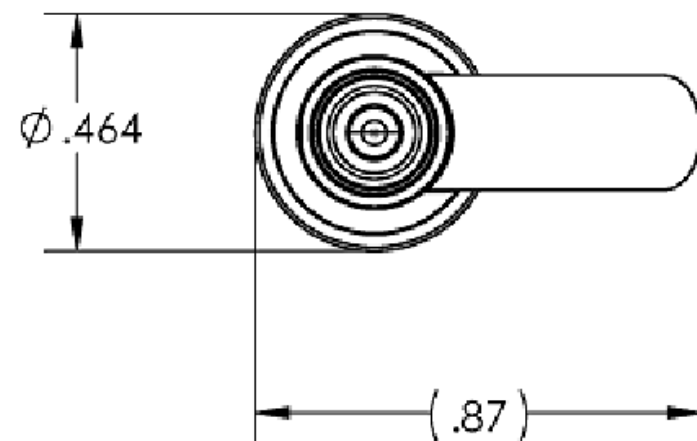
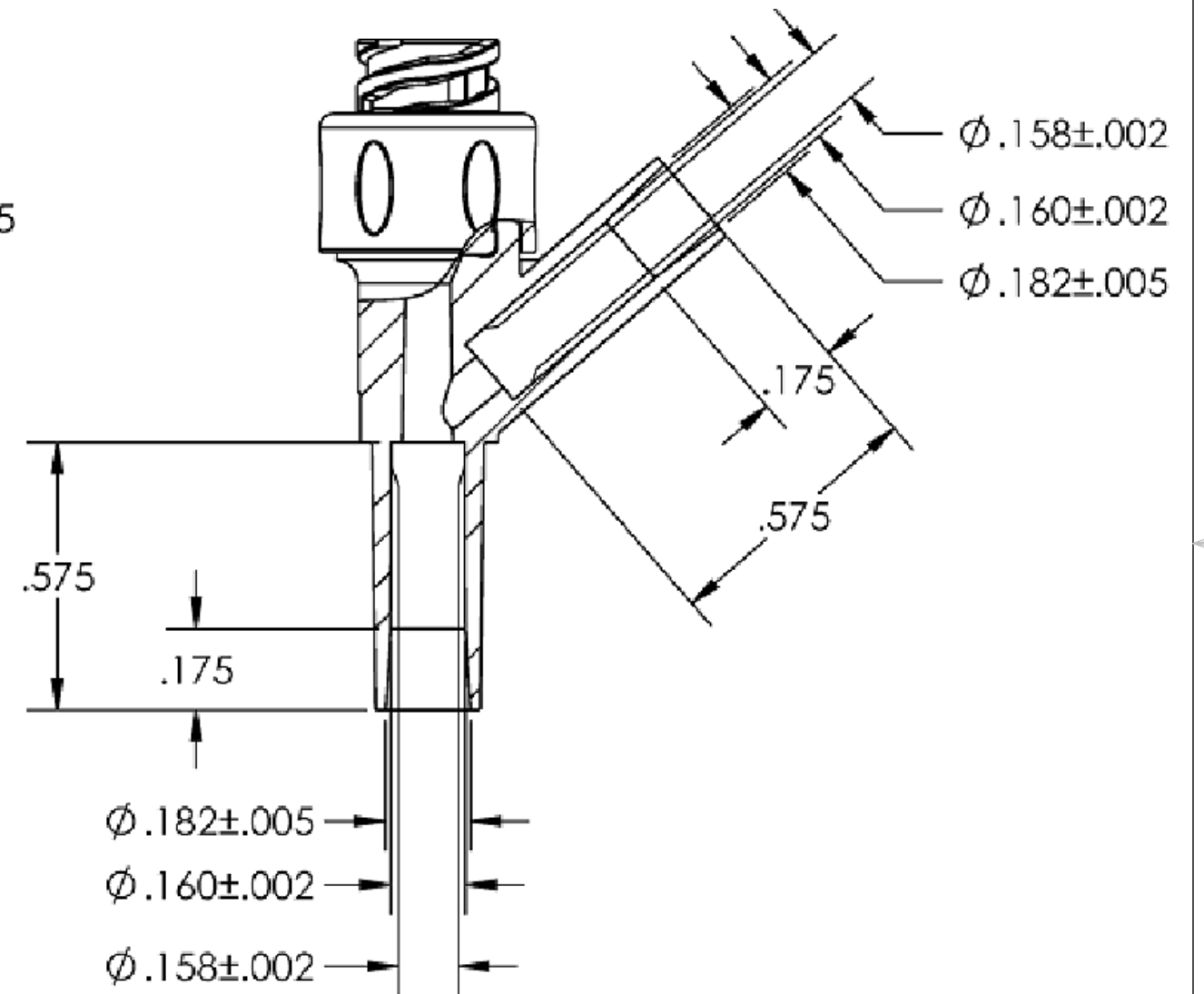
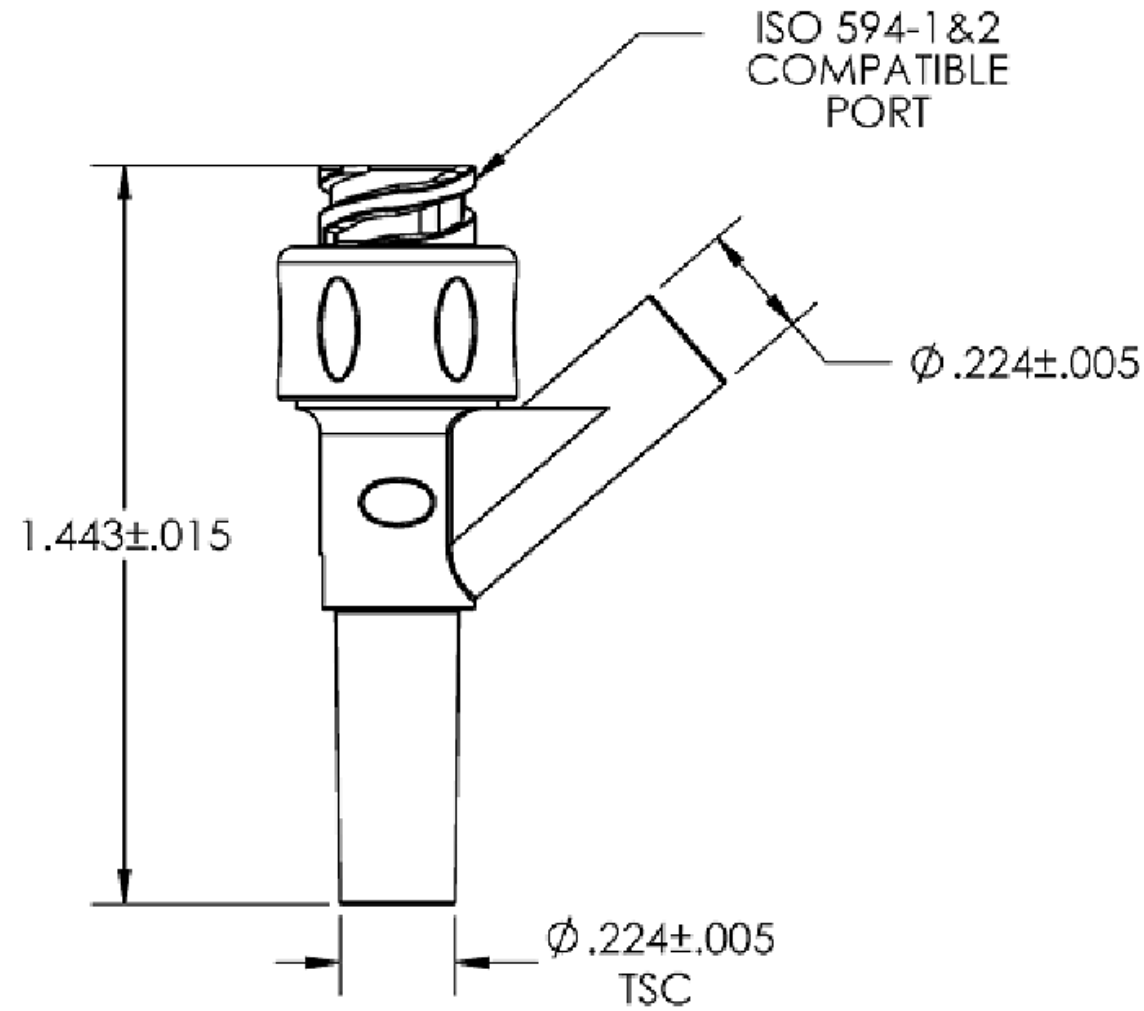
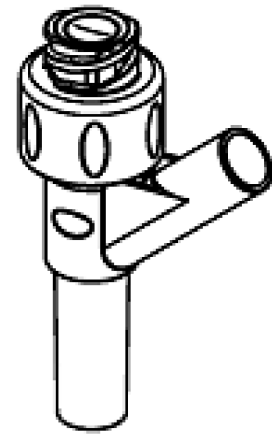


NOTES: FOR ADDITIONAL DETAILS, PLEASE CONTACT VP CUSTOMER SERVICE
 DIMENSIONS MARKED \square ARE CONTROL DIMENSIONS

REVISIONS			
REV.	DESCRIPTION	DATE	APPROVED
A	INITIAL RELEASE	04-05-16	FJL



UNLESS OTHERWISE SPECIFIED
 DIMENSIONS ARE IN INCHES
 TOLERANCES ARE:

FRACTIONS	DECIMAL	ANGULAR
\pm	.XX $\pm .01$	$\pm 1^\circ$
	.XXX $\pm .005$	
	.XXXX $\pm .001$	

DO NOT SCALE DRAWING

VALUE PLASTICS, INC

PART NUMBER: NVFY42S-001

DESCRIPTION:
 NEEDLEFREE VALVE LUER TO BONDABLE SOCKET TO BONDABLE
 SOCKET, Y-PORT FOR 4.2MM OD TUBING, SWABBABLE VALVE

DRAWN BY:	DATE:	SIZE:	SCALE:	VER:	DWG. NO.	REV
marie.morleyjahn	5/3/2016	B	NTS		1039672	A

MANAGER: Frank.Lombardi

© 2014 VALUE PLASTICS, INC SHEET: 1 OF 1

FOR REFERENCE ONLY